



Specifications

Electrical Ratings	50mA @ 50VDC	Actuation Travel	2.7 ± 0.2mm
Electrical Life	30,000 cycles typical	Dielectric Strength	500Vrms min
Contact Resistance	<100mΩ initial	Insulation Resistance	>100MΩ min @ 500VDC
Actuation Force	300 ± 50gF	Operating Temperature	-40°C to 85°C
	500 ± 80gF	Storage Temperature	-40°C to 85°C

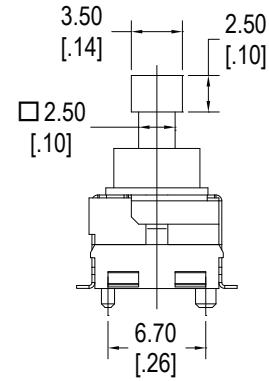
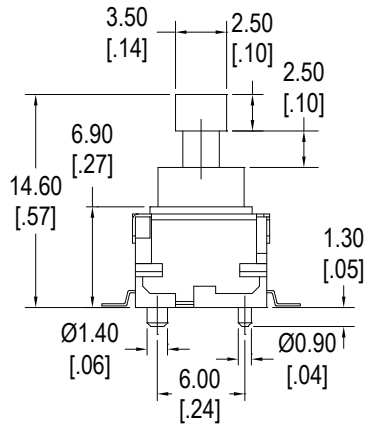
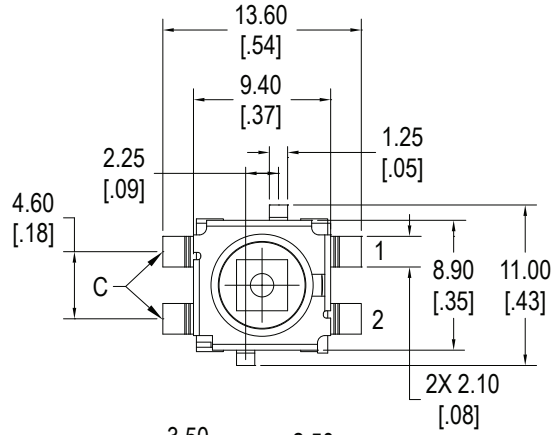
Materials

Actuator	PA6T Polyamide
Housing	PA6T Polyamide
Cover	Phosphor Bronze
Contact	Copper Alloy
Terminals	Brass, Silver Plated

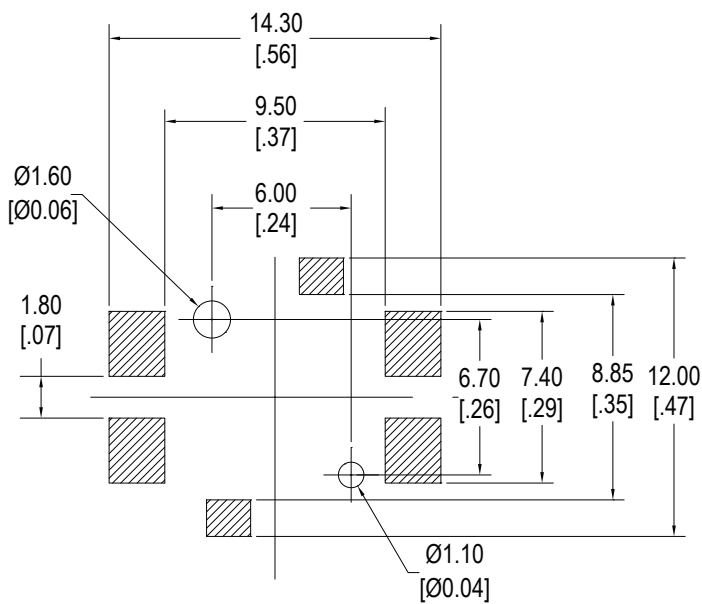
Ordering Information

1. Series	MB	F500	L
MB			
2. Actuation Force			
F300 = 300gF			
F500 = 500gF not available in non-latching			
3. Switch Function			
N = Non-Latching			
L = Latching			

Dimensions



PC Layouts



Schematics

